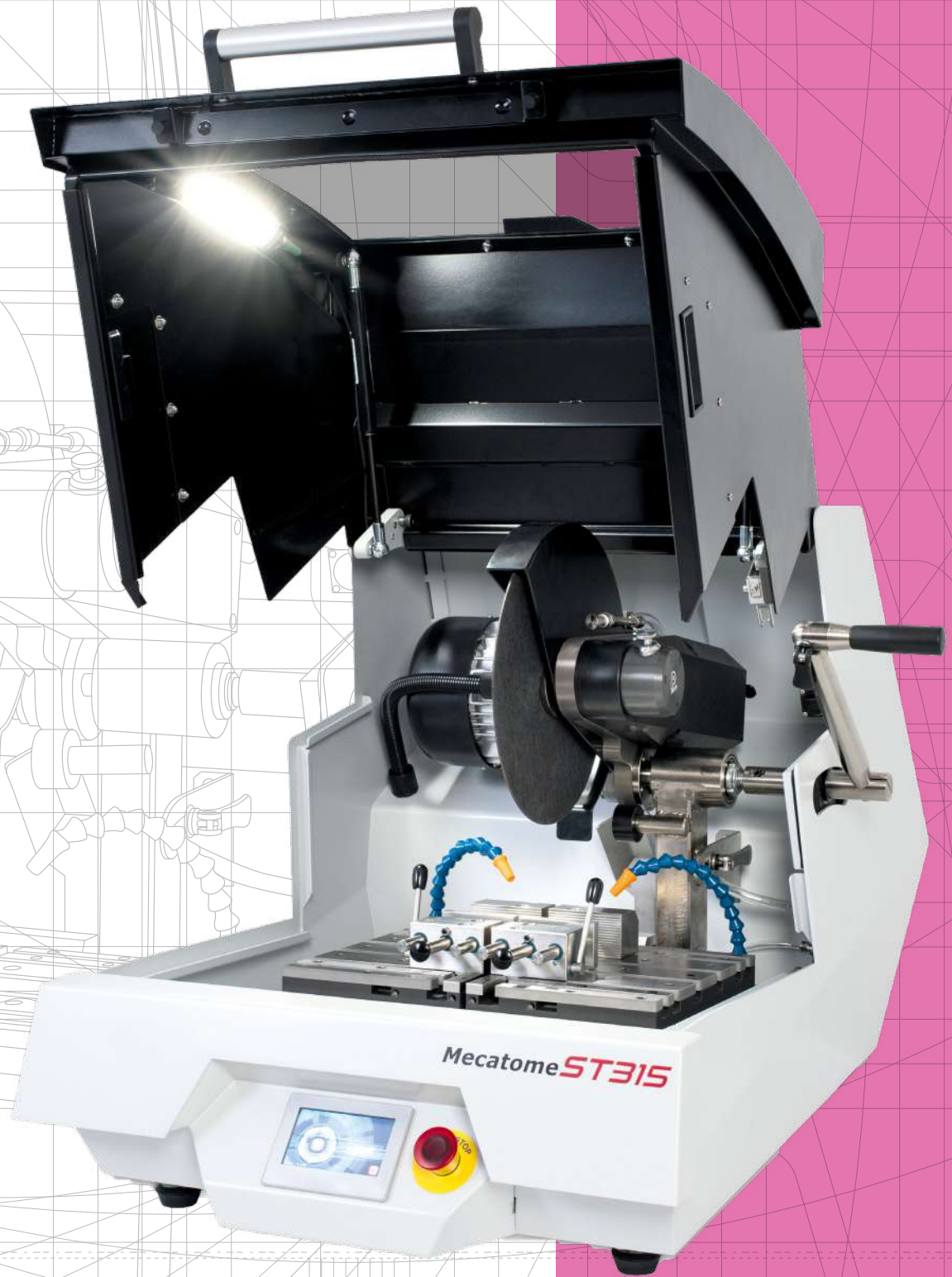
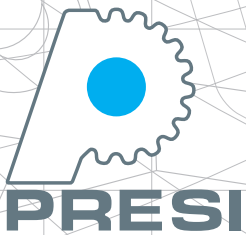


MECATOME ST315



Mecatome **ST315**



 CUTTING

MECATOME ST315
Ref. 50230



MECATOME ST315

MANUAL CUTTING MACHINE WITH SWING MOVEMENT

Robust and powerful, the MECATOME ST315 accepts cutting discs of Ø250 & Ø300mm. Its rotation speeds ranging from 1000 to 4000 RPM allow the use of metallic discs as well as resinoids. Its stainless steel pallet table is compatible with all clamping systems on the market and its plunge and swing cutting movement make it the ideal machine for fast cutting with time savings of up to 60%.

Robustness

- Mechanically welded steel cover and PETG protective glass
- Stainless steel cutting chamber
- Epoxy paint

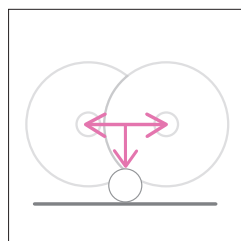
Working comfort & power

- Tool-less cut-off wheel change
- Clamping table with interchangeable stainless steel pallets
- Guided evacuation system for residual drops
- Concealed screws for easy cleaning
- Light integrated into the hood:
 - Anti-glare
 - Optimal lighting of the working area
- Cleaning gun



Swing movement function

- with ergonomic handle



Controls & Safety

- Programmable color touch screen
- Visualization of motor load
- Calculation of anti-rust concentration adjustment
- Braked stopping of the cut-off wheel
- Mechanical locking of the hood during operation
- Zero speed check before unlocking
- Emergency stop button
- CE marking

Lubrication close to the cut area

- Wheel guard including 2 lubrication points
- Two adjustable lubrication points
- Two additional lubrication points on the table



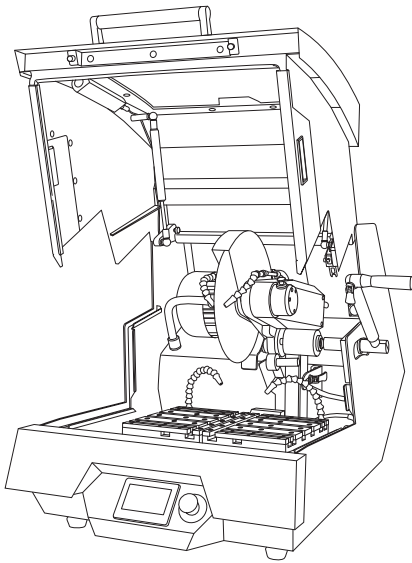
Stability

- Adjustable, anti-vibration feet

55 L filtration tank

- Double filtration system: mechanical & magnetic (optional)

MECATOME ST315



↑ 710mm closed lid
1130mm open lid

↔ 720mm

↘ 975mm

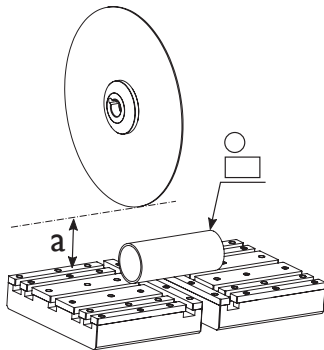
📦 160kg

CUTTING ENVELOPE*

Ⓐ = 130mm (cut-off wheel Ø300mm)

○ = Ø105mm

□ = 210 x 50mm



* This illustration of the cutting envelope is to show the maximum theoretical capacity only. The actual capacity may be increased, depending on sample material, cutting frequency and selected flanges.

CHARACTERISTICS MECATOME ST315

HOOD

Type	Metal Frame & PETG Stainless steel cutting chamber
Safety	Mechanical locking of the hood during cutting Braked stopping of the cut-off wheel Zero speed check before unlocking the hood
Fumes extraction	Option: mist extraction with fluid recovery

MOTORISATION - POWER SUPPLY

Power	3700W
Motor	Asynchronous motor controlled by frequency inverter
Power supply	400V - Three-phase - 50/60Hz

CUT-OFF WHEEL

Kind of the cut-off wheel	Resinoid & Metallic
Size of the cut-off wheel	from Ø250 à Ø300mm
Rotation speed	1000 to 4000 RPM
Arbor size	25,4mm

CONTROL

Control interface	Touchscreen Visualization of the motor load
Security access	Can be activated

CUTTING

Cutting modes	Manual, swing movement
Distance between cut-off wheel and table	130mm (with Ø300mm cut-off wheel)
Table type	Treated aluminum table, interchangeable stainless steel pallets
Holders	T-slotted table (12mm) accepting all commercial clamping systems

LUBRICATION - COOLING

Type of lubrication	By pump, flow rate 70 L/min
Recirculation tank	External - Capacity 55L
Type of filtration	Washable 100µm cloth filter, optional magnetic filter
Method of directing pumped coolant	2 lubrication points integrated in cut-off wheel guard Two orientable lubrication points

ERGONOMICS

Internal lighting	LED lighting integrated into the hood (IP 68)
Spray nozzle for cleaning	Integrated
Cutting disc change	Tool-less cut-off wheel changing system
No-load sound level	< 70 dB

OPTIONS



MAGNETIC FILTER

For 55L tank
Ref. 50222



SUCTION & EXTRACTION

Mist extraction with fluid recovery
Ref. 51273

ACCESSORIES

STAINLESS STEEL VICES & CLAMPING SYSTEM



Straight left quick clamping vice height 45mm + rear jaw
Ref. 50236



Straight right quick clamping vice height 45mm + rear jaw
Ref. 50235



Kopal clamp
Ref. 50616
Kopal kit
Ref. 50613

TABLES & POSITIONING



Manual transversal table
Ref. 50244

OTHER ACCESSORIES



Kit of v positioning supports
Ref. 50370



Base cabinet for manual cutting machine (small model)
Ref. 51275



Analogical refractometer BRIX 0-10
Measure the concentration of the anti-rust coolant
Ref. 19074

CONSUMABLES

RESINOID CUT-OFF WHEELS

	REF.	ABRASIVE	Ø
Ferrous materials			
S	01016	Al ₂ O ₃	Ø 250 x 1,6 x 32mm
	01022	Al ₂ O ₃	Ø 300 x 2 x 32mm
AO	01014	Al ₂ O ₃	Ø 250 x 1,6 x 32mm
	01020	Al ₂ O ₃	Ø 300 x 2 x 32mm
A	01015	Al ₂ O ₃	Ø 250 x 1,6 x 32mm
	01021	Al ₂ O ₃	Ø 300 x 2 x 32mm
AOF II	01012*	Al ₂ O ₃	Ø 250 x 0,8 x 32mm
	01013	Al ₂ O ₃	Ø 250 x 0,8 x 32mm
	01019	Al ₂ O ₃	Ø 300 x 1 x 32mm
Non-ferrous materials			
MNF	01017	SIC	Ø 250 x 1,6 x 32mm
	01023	SIC	Ø 300 x 2 x 32mm
T	01071	SIC	Ø 250 x 1,6 x 32mm
	01072	SIC	Ø 300 x 2 x 32mm
F	01018	SIC	Ø 250 x 1,6 x 32mm
	01024	SIC	Ø 300 x 2 x 32mm

* Cut-off wheel "S".

METALLIC CUT-OFF WHEELS

	REF.	Ø
Hard ferrous materials		
CBN	02043	Ø 250 x 1,2 x 32mm
	02047	Ø 300 x 1,2 x 32mm
Ceramic & non-ferrous materials		
DIAMOND LR	02045	Ø 250 x 1,2 x 32mm
	02049	Ø 300 x 1,2 x 32mm
DIAMOND LM	02042	Ø 250 x 1,2 x 32mm
	02046	Ø 300 x 1,4 x 32mm
DIAMOND LM+	02044	Ø 250 x 1,2 x 32mm
	02048	Ø 300 x 1,4 x 32mm
Composit & plastic materials		
DIAMOND ELD	02105	Ø 250 x 1,8 x 25,4mm
	02106	Ø 300 x 1,8 x 25,4mm

REDUCTION RINGS*

REF.	DESIGNATION	Ø
Pack of 20		
01089	Reduction ring	32/25,4 mm x 2mm
01092	Reduction ring	32/25,4 mm x 3mm

* Other diameters on request.

ANTIRUST COOLANT

REF.	DESIGNATION
01025	1L bottle
01090	5L drum
01026	10L drum

ANTIFOAM AGENT

REF.	DESIGNATION
01094	1L bottle
01095	5L drum
01096	10L drum

ANTISEPTIC LIQUID

REF.	DESIGNATION
01093	500CC bottle
01097	1L bottle
01098	5L drum